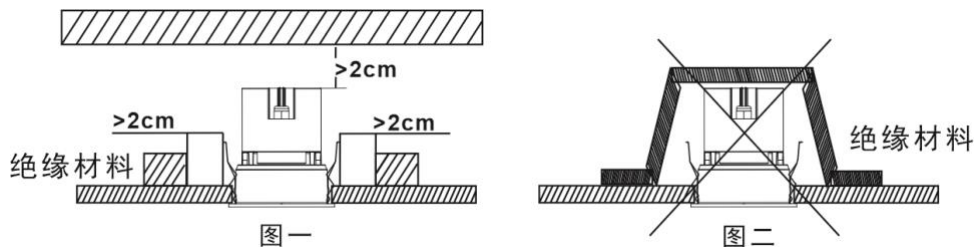


在安全的情况下，打开交流电源。灯应在 1 秒内打开。如果没有照明，请再次检查电气安装。如果灯仍然不能照亮，返回到原来的供应商。

### 散热结构



### 运输

在运输和储存过程中，请确保产品不受有机化学物质的侵蚀、避免碰撞和跌落。存放环境必须是防水防潮的。存放温度为-30°C-+60°C，存放湿度为 10%-90%

### 售后服务

维修范围:以下原因引起的质量问题不属于维修范围:

未经制造商授权进行维修或改装;

用户操作不当或故意损坏;

超出正常规格的原因;

不可抗力、自然或人为灾害，如火灾、地震、海啸、飓风、叛乱、恐怖袭击、战争等。

本公司保留在不另行通知的情况下修改使用手册内容的权利。

本使用手册自 2021 年 10 月起生效。

# LifeSmart 云起钛系列筒灯



圆形筒灯



方形筒灯

请在安装和使用前阅读所有说明，以避免发生火灾、爆炸或触电的危险。

### 警告

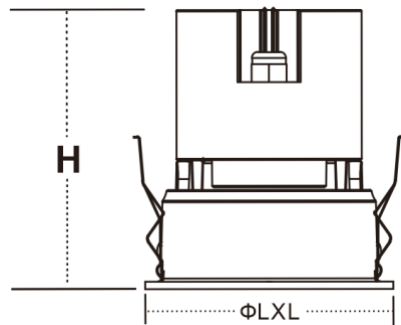
- 1.筒灯，防护等级 IP44，请勿在高湿度条件下使用
- 2.灯具工作条件-20°C-+50°C。
- 3.远离易燃易爆环境。
- 4.不要用绝缘衬垫或类似材料覆盖灯具。
- 5.不要安装在容易松动、断裂等表面不稳定的地方。
- 6.不要对照明灯具表面挤压或者施加更大压力。
- 7.若出现不亮、闪烁、暗光等故障，请联系我们的服务人员，不要试图自行修复。

### 注意

- 1.安装前请检查灯具是否在运输过程中损坏，并将原包装材料打开检查。
- 2.非专业人员不得拆卸本产品，拆卸或维修前必须确保电源已关闭。
- 3.电路板上隔离保护层，拆卸电路板时请不要接触酸性物质，如汗液等。电路板上污迹或灰尘时，请用洗板水清洗。
- 4.由于电源容量需要足够的放电时间和保持灯具的冷却，因此在关闭电源后，灯具的维修至少需要等待 5 分钟。
- 5.只有专业人员或授权人员才能操作将灯与电源连接。
- 6.在任何情况下都不能逆转带电和中性连接。注意，这是一个 3 类产品，没有接地端子。
- 7.灯具应在说明书中列出的环境中工作。

### 结构(单位:毫米)

产品尺寸	H	Φ/L×L
HDL55 圆形(G)	87	62
HDL75 圆形(G)	93	83
HDL95 圆形(G)	124	106
HDL75 方形(G)	94.5	85×85



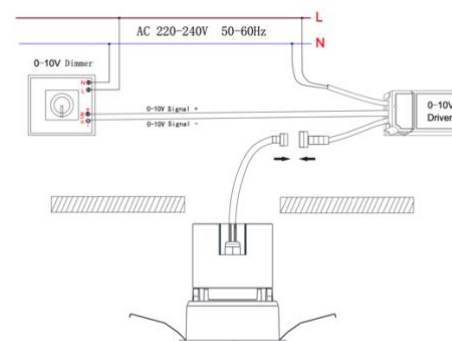
### 安装

#### 1. 天花开孔.

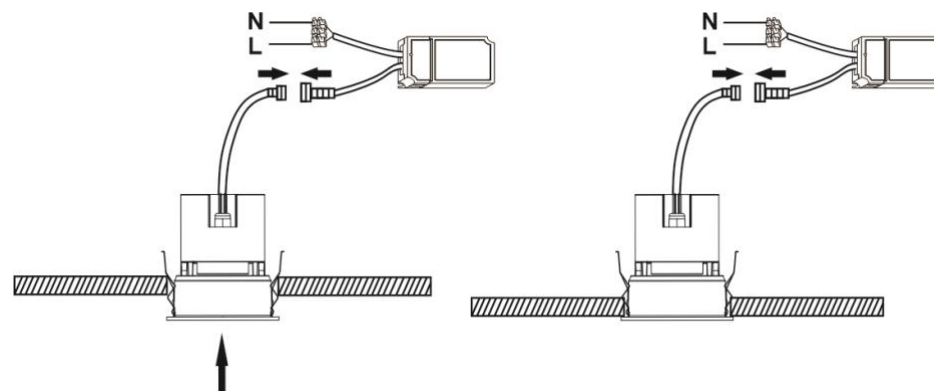
产品尺寸	开孔尺寸(mm)
HDL55 圆形(G)	Φ55
HDL75 圆形(G)	Φ75
HDL95 圆形(G)	Φ95
HDL75 方形(G)	Φ75X75



#### 2. 将电源 AC 线连接到灯具驱动器的接线盒上.

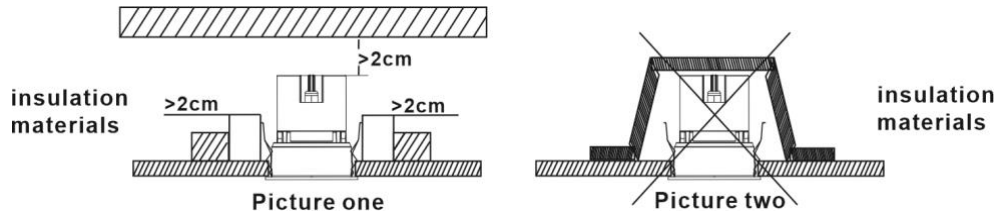


#### 3. 如下图所示，将灯具安装在安装孔内，并确保牢固.



Provided it is safe to do so, turn on AC power source. The Light should turn on within 1 seconds. If Light has not illuminated, check electrical installation once more. If the Light still fails to illuminate, return to original vendor.

**Heat insulation construction**



**Transportation**

Please keep the products free of drop, collision and erosion by organic chemistry material during transportation and stocking.

The stocking environment must be water proof and moisture proof. Stocking temperature shall be -30°C — +60°C and stocking humidity is 10% — 90%.

**After-sale service**

Maintenance Scope: Quality problem from below causes is not within maintenance scope.

Maintenance or modification without authorization from the manufacturer.

Mal-operation or deliberately damage by user.

Unusual environment, which is out of specification.

Force, majeure, natural or human disaster such as fire, earthquake, tsunami, hurricane, rebellion, terrorist attack, war, etc.

**Packing List**

Item	Name	Qty	Unit	Remark
1	LED Hotel Downlight	1	PC	The packing list is for Wyndham Hotel Downlight
2	User Manual	1	PC	

Our company reserves the right to modify the contents of Use Manual without further notice.

The User Manual comes into effective from October. 2021.

# LifeSmart Ti Series Downlight



Round



Square



Please read all instructions before installation and use to avoid the risk of fire, explosion, or electric shock.

### Warning

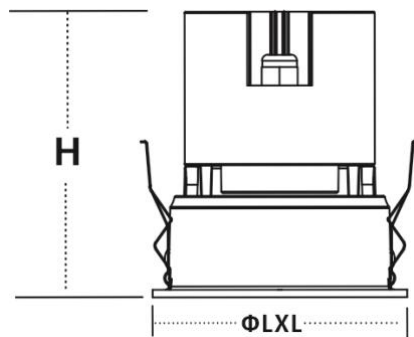
1. door lighting, protection level IP44, do not use in high humidity condition.
2. Luminaire working condition -20°C — +50°C.
7. keep away from flammable and explosive environment.
8. Do not cover the luminaire with insulated liner or similar materials.
9. Do not install at the place easy to loose, break and other instability surface.
10. Do not impact or exert greater pressure on the lighting surface.
11. If any no bright, blink, dimming and other fault, please contact our service people and not try to repair by yourself.

### Caution

7. before installation please check if the luminaire is broken during transportation and hole the original packing material.
8. The product can not be disassemble by unprofessional person, and must make sure the power off before disassembling or maintaining.
9. There is isolation protection layer on circuit board, please do not touch the acid materials when you disassembling the circuit board, like sweat etc. Please use plate washer water to clean the circuit board when it is stain or dust.
10. The maintenance for the lamp have to wait at lease 5 minutes after turning off the power, due to the capacity needs enough time to discharge and keep the lamp cool.
11. Only professional or authorized person can operate to connect the lamp with the power.
12. Under no circumstances reverse the live and neutral connections. Note that this is a Class 3 product and no ground terminal is required.

### Structure (unit: mm)

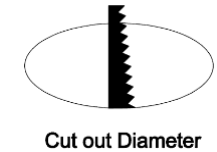
Product Size	H	Φ/L×L
HDL55 Round(G)	87	62
HDL75 Round(G)	93	83
HDL95 Round(G)	124	106
HDLS75 Square(G)	94.5	85×85



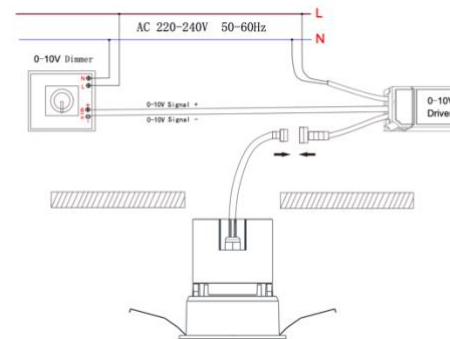
### Installation

1. Open the hole in the ceiling.

Product Size	Cut Out Size(mm)
HDL55 Round(G)	Φ55
HDL75 Round(G)	Φ75
HDL95 Round(G)	Φ95
HDLS75 Square(G)	Φ75X75



2. Connect the power lead with the terminal block of the led driver.



3. As shown in the following figure, the lamps mounted in the mounting hole, and ensure strong.

